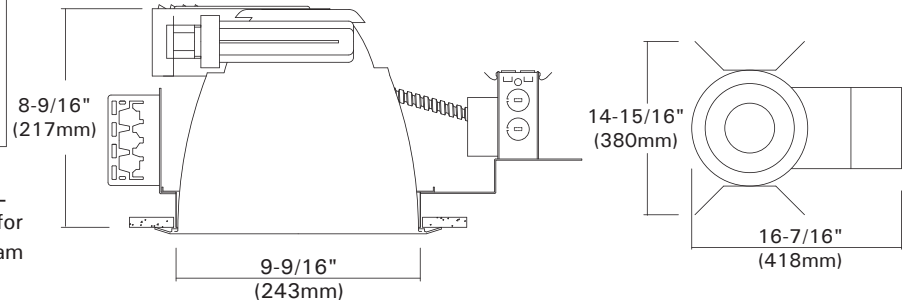


DLF-916

10" Horizontal Architectural Frame-in-kit For (1) or (2) DTT/TTT Lamps

Catalog #		Type
Project		Date
Prepared by		

FLUORESCENT



DESCRIPTION

The DLF-916 is a 10" aperture frame-in kit for (1) or (2) horizontal CFL lamps, for wide beam area and task lighting.

The DLF-916 offers a wide choice of trims types including reflector, lensed and wall wash trims.

DESIGN FEATURES

Ceiling Cut-out : 9-3/4"
Lamp, Max, Watt. : (1)57W or (2)57W

Mounting Frame

- 20-gauge CRS mounting ring, black-painted. 1-5/8" deep collar may use for various thickness of ceiling materials.

Junction Box

- Listed for through branch circuit wiring. (Max. 8 No 12 AWG 90°C branch circuit conductors. (4 in, 4 out)
- (5) 1/2" knockouts with true pry-out slots and (4) knockouts with Romex cable clamp.
- Ground wire provided on J-box.

Reflector

- Anodized clear, haze, gold, champagne, pewter color finished full reflectors. And anodized reflectors with black or white milled groove baffle collar.

Trim Ring

- White plastic ring or plated chrome, satin nickel, polished brass, natural steel color ring.

Socket

- G24Q/GX24Q socket for use 4 pin DTT TTT lamps.

Socket Housing

- Installed (4 pin) thermoplastic lampholders in stamped galvanized steel housing attached on the reflector top.

Mounting Channel Bracket

- Commercial mounting kit provided up to 5" vertical adjustment, which accommodates 1/2" EMT conduit, optional HB-24 or HBC-24 bar hanger or lathing channels for T-bar grid or concealed spline ceiling.

Lamp

- Compact Fluorescent lamps.
 - * DTT-Double twin tube (Quad/CFQ)
 - (1) or (2) 13W DTT (4 pin)
 - (1) or (2) 18W DTT (4 pin)
 - (1) or (2) 26W DTT (4 pin)
 - * TTT-Triple Twin Tube (CFTR)
 - (2) 26W TTT (4 pin)
 - (2) 32W TTT (4 pin)
 - (2) 42W TTT (4 pin)
 - (2) 57W TTT (4 pin)
 - (1) 32W TTT (4 pin)
 - (1) 42W TTT (4 pin)
 - (1) 57W TTT (4 pin)

Ballast

- Class P Thermally protected by internal fuse (3 amp fast blow), Multi-volt electronic ballast or thermal cut-out switch in magnetic ballast.
- High Power Factor Multi-volt Electronic ballasts for 4 pin type compact fluorescent lamps mounted on J-box door for easy access from inside of fixture.

Listing

- UL, c-UL listed for damp location.
- UL, c-UL listed for feed through.

Optional "Quick Connect" Push-in wire connectors.

- Three "Quick Connectors"
- Pre-installed push-in wire connectors for fast and easy wiring.

Ordering Information

Housing	Ballast	Lamp(s) Watt.	Option
<input type="checkbox"/> DLF-916	<input type="checkbox"/> <ul style="list-style-type: none"> -N : 120V NPF Magnetic -H : 120V HPF Magnetic -NE : 120V NPF Electronic -HE : 120V HPF Electronic 	<input type="checkbox"/> <ul style="list-style-type: none"> 126 : (1)26W 226 : (2)26W 132 : (1)32W 232 : (2)32W 142 : (1)42W 242 : (2)42W 157 : (1)57W 257 : (2)57W 	<input type="checkbox"/> <ul style="list-style-type: none"> -EM : Emergency w/ Remote Test Switch -C : Quick Connectors

Example : DLF-916-E242

Trims

10" Horizontal Compact Fluorescent Trims For

DLF-916, DLF-916R, DLF-926

Catalog #		Type
Project		Date
Prepared by		

FLUORESCENT

TM-99R TM-99RF

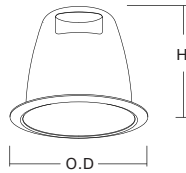
Specular Open Reflector
2x57W TTT, 1x57W TTT

White Plastic Trim Ring

O.D : 11-1/4"

Height : 8-3/4"

*Symbol (RF) is for Self-flange



TM-90B

Baffle w/ Reflector
2x57W TTT, 1x57W TTT

White Plastic Trim Ring

O.D : 11-1/4"

Height : 8-3/4"



TM-98

Reflector w/ Frosted Drop Lens
2x57W TTT, 1x57W TTT

White Metal Trim Ring

O.D : 11-1/4"

Height : 8-3/4"



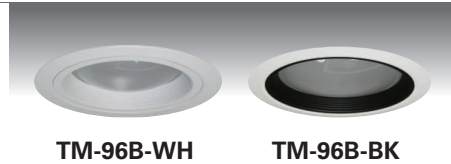
TM-96B

Baffle w/ Frosted Flat Lens
2x57W TTT, 1x57W TTT

White Plastic Trim Ring

O.D : 11-1/4"

Height : 8-3/4"



TM-98S

Reflector w/ Frosted 3.5" Center Hole Lens
2x57W TTT, 1x57W TTT

White Metal Trim Ring

O.D : 11-1/4"

Height : 8-3/4"



TM-96R

Reflector w/ Frosted Flat Lens
2x57W TTT, 1x57W TTT

White Plastic Trim Ring

O.D : 11-1/4"

Height : 8-3/4"



- ◆ White plastic ring standard. Also available with metal rings.
- ◆ All trims are damp location, Lens trims are wet location listed.

ORDERING INFORMATION

Choose the catalog / finish codes that best suit your needs and enter it on the appropriate line.

TRIM MODEL	REFLECTOR	LENS	BAFFLE	METAL RING
	CL :Clear	AS :All Sanded	WH :White	WH :White
	WH :White	CL :Clear	BK :Black	BK :Black
	GD :Gold	CS :Center Part Sanded	SN :Satin Nickel	SN :Satin Nickel
	MA :Matte Platinum		AN :Antique Nickel	AN :Antique Nickel
	CP :Champagne		AC :Antique Copper	AC :Antique Copper
	PR :Pewter		MO :Mocha	MO :Mocha
	HC :Haze Clear		CA :Cappuccino	CA :Cappuccino
			CH :Chrome	CH :Chrome
			UN :Natural Steel	UN :Natural Steel
			PB :Polished Brass	PB :Polished Brass

Examples:

TM-99R-HC-WP = Haze Clear Reflector

TM-90B-BK-WP = Black Baffle w/ Clear Reflector